

Article datasheet

Solder Terminal Pin $\varnothing 1.0 \times 10.0$ mm Brass tinned - square press-in shaft

Article-No.: 013.14.305

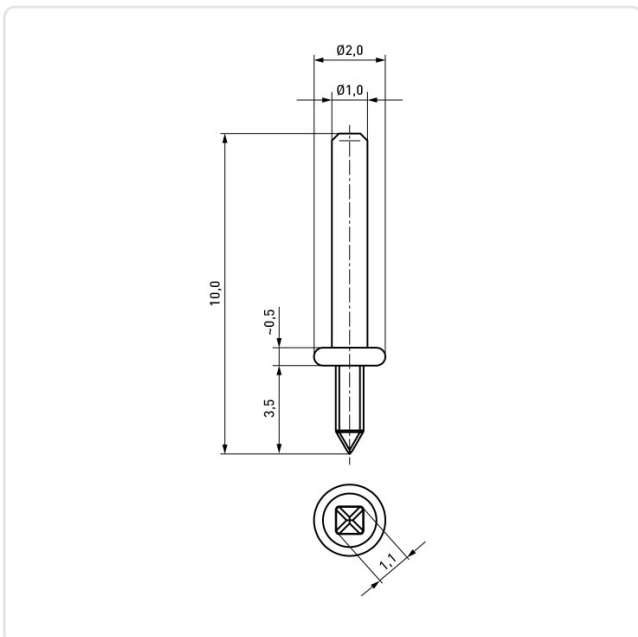


Image may be similar

Diameter [mm]: 1
Finish: Tin-Plated
Length [mm]: 10
Material: Brass
Model: square
PCB Hole \varnothing [mm]: 1
Weight: 0.07g
Conformities:



You can find all
information on the web on
our article detail page



Would you like individual advice?

We look forward to your email to products@ettinger.de.

Subject to change and errors.