

Article datasheet

Standoff Galvanized Steel Self-Tapping AF5x6.8 F=M2.5x5 M=ST2.6x6.5 w/o UC

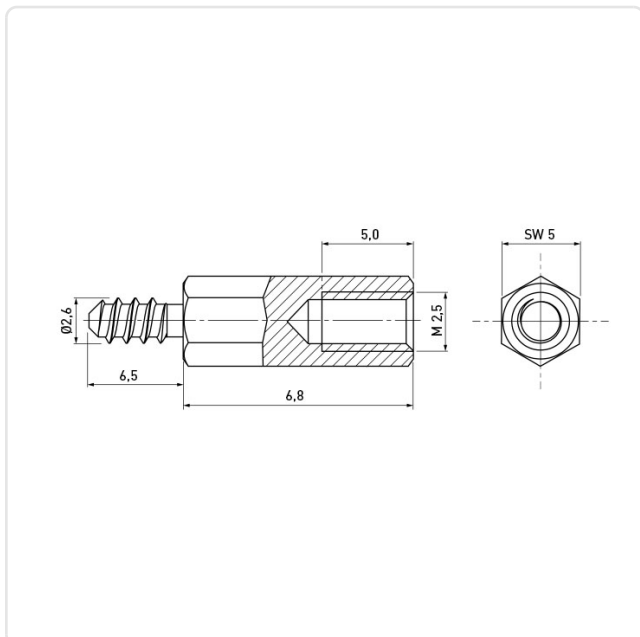
Article-No.: 005.20.207



AF / OD [mm]:	5
Female Thread Length [mm]:	5
Female Thread Size:	M2.5
Finish:	Galvanized, Blue, 5 µm, A2K
Length [mm]:	6.8
Male Thread Length [mm]:	6.5
Male Thread Size:	ST2.6 Self-Tapping
Material:	Steel AISI 12L13 / 11SMnPb30
Material Group:	Stahl
Profile:	Hexagonal
Undercut:	No
Weight:	1.06g
Conformities:	



Image may be similar



You can find all information on the web on our article detail page

Would you like individual advice?

We look forward to your email to products@ettinger.de.

Subject to change and errors.