

Article datasheet

Snap Lock Pin SLPA \varnothing 3mm/12.7mm Polyamid 6.6,natural UL94-V2 E70062

Article-No.: 072.11.612

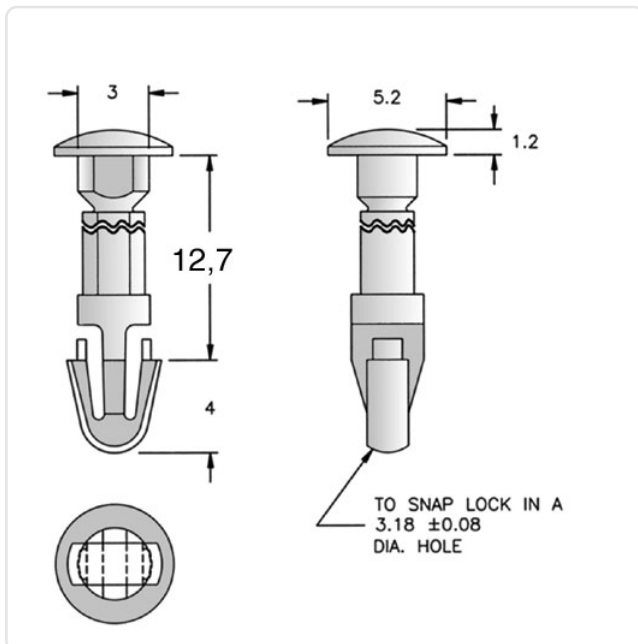


Image may be similar

Color: Natural
Flammability Class: UL94-V2
Head Diameter [mm]: 5.2
Material: PA 6.6
Material Group: Plastic
Mounting Hole [mm]: 3
Weight: 0.17g
Conformities:



You can find all information on the web on our article detail page



Would you like individual advice?

We look forward to your email to products@ettinger.de.

Subject to change and errors.