

Article datasheet

Battery Insulator "REMOVE" Polypropylen,white/black-reel 1000

Article-No.: 034.31.111

Manufacturer: Keystone Electronics

Manufacturer article-no.: 111

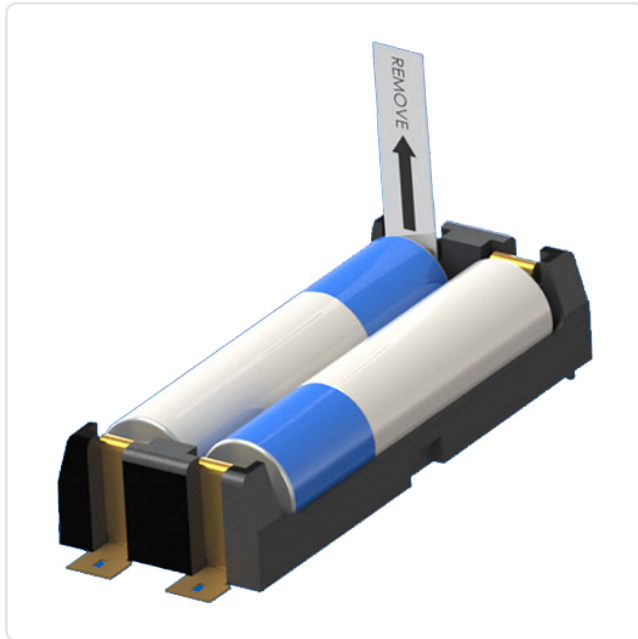


Image may be similar

Color: White
 Marking: REMOVE
 Material: PP - Polypropylene
 Material Group: Plastic
 Weight: 80g
 Conformities:



You can find all information on the web on our article detail page

Would you like individual advice?

We look forward to your email to products@ettinger.de.

Subject to change and errors.

