

Article datasheet

Blade Terminal 2x 6.3x0.8 | 90° Nickel-Plated Steel

Article-No.: 019.68.763

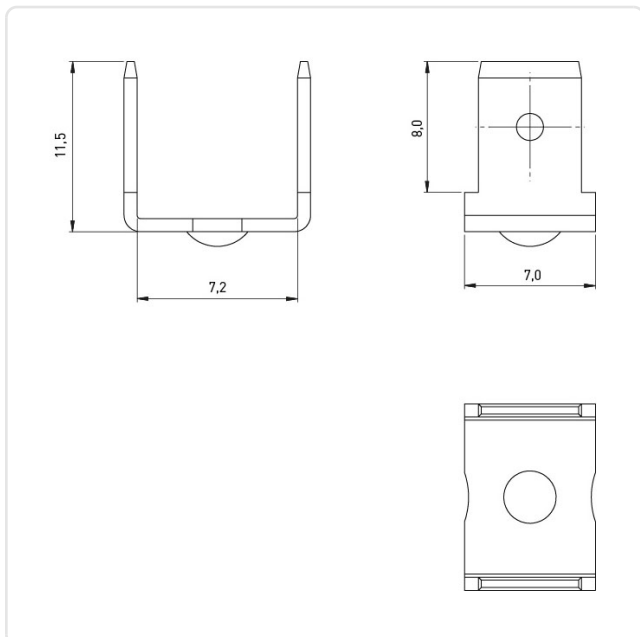


Image may be similar

Bending Angle [°]: 90
Finish: Nickel-Plated, 3 µm, E1E
Material: Steel
Material Group: Steel
Plug-In Length [mm]: 8
Size [mm]: 6.3x0.8
Tabs: 2
Weight: 1.14g
Conformities:



You can find all information on the web on our article detail page



Would you like individual advice?

We look forward to your email to products@ettinger.de.

Subject to change and errors.