

Article datasheet

Diecast Aluminum Enclosures 1590 / IP 54 / 95 x 49 x 145 mm

Article-No.: 097.05.441

Manufacturer: Hammond

Manufacturer article-no.: 1590J

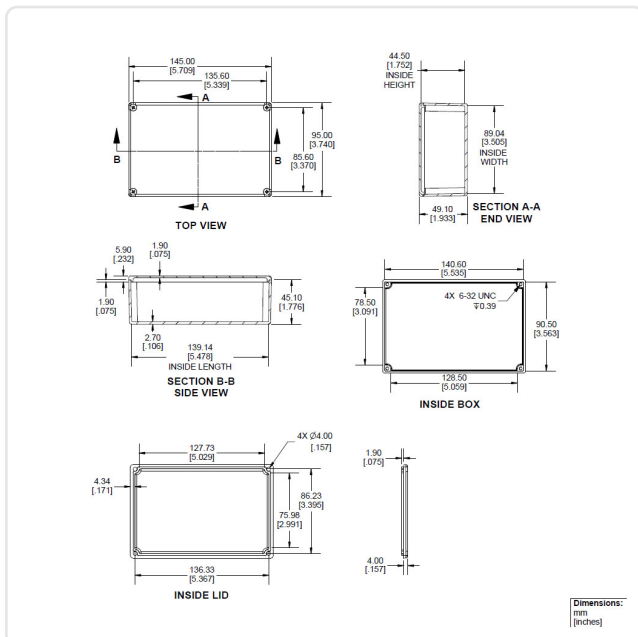


Image may be similar

Height [mm]: 49
 Length [mm]: 145
 Material: Aluminum
 Material Group: Aluminum
 Protection Code: IP54
 Width [mm]: 95
 Weight: 315.07g
 Conformities:



You can find all information on the web on our article detail page



Would you like individual advice?

We look forward to your email to products@ettinger.de.

Subject to change and errors.