

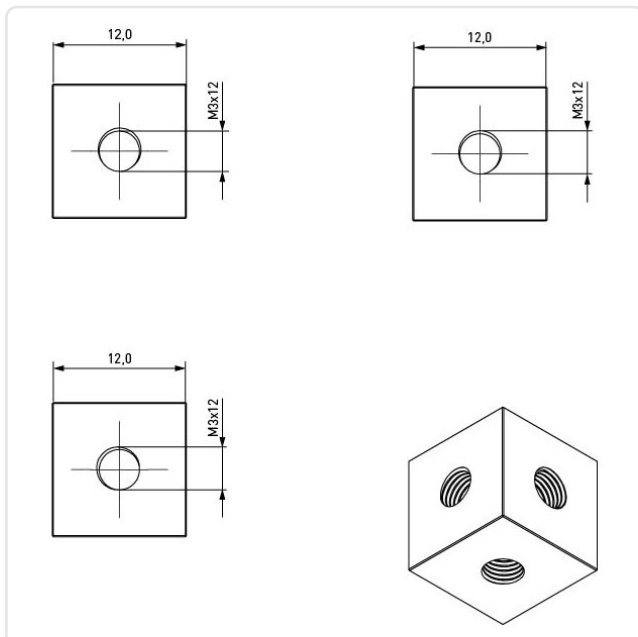
Article datasheet

Mounting Cube 3xM3/12x12 Brass nickel plated

Article-No.: 005.60.534



Image may be similar



Finish: Nickel-Plated, 3 µm, E1E
Length [mm]: 12
Material: Brass CW614N / CuZn39Pb3
Thread 1 / Hole 1: M3
Thread 1 Length [mm]: 12
Thread 2 / Hole 2: M3
Thread 2 Length [mm]: 12
Thread 3 / Hole 3: M3
Thread 3 Length [mm]: 12
Weight: 12.92g
Conformities:



You can find all
information on the web on
our article detail page

Would you like individual advice?

We look forward to your email to products@ettinger.de.

Subject to change and errors.