

Article datasheet

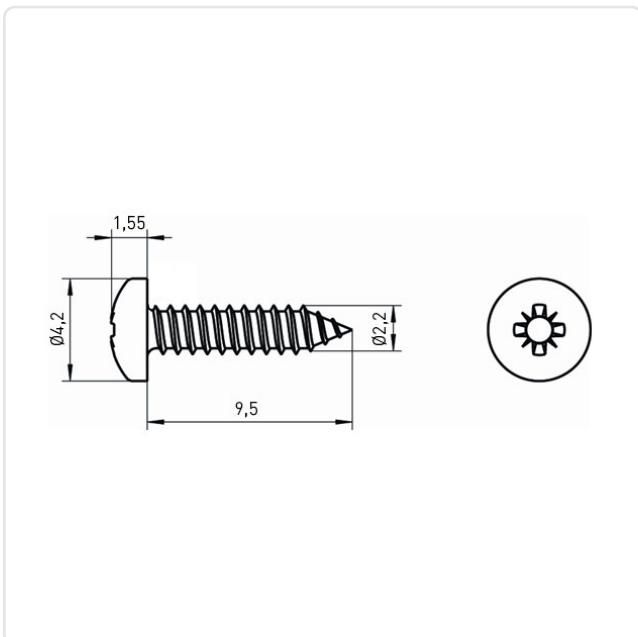
## Tapping Screw DIN7981 Ø2.2x9.5 Galvanized Steel Cross Recess Pan Head

Article-No.: 001.27.041



Image may be similar

Actuator Size:	Pozidriv PZ1
DIN/ISO:	DIN7981 / ISO7049
Drive Type:	Cross Recess / Pozidriv-Z
Finish:	Galvanized, Blue, 5 µm, A2K
Head Diameter [mm]:	4.2
Head Height [mm]:	1.8
Head Shape:	Pan Head
Length [mm]:	9.5
Material:	Steel
Material Group:	Stahl
Thread Diameter [mm]:	Ø 2.2
Weight:	0.28g
Conformities:	



You can find all  
information on the web on  
our article detail page

Would you like individual advice?

We look forward to your email to [products@ettinger.de](mailto:products@ettinger.de).

Subject to change and errors.