

Article datasheet

SMD Coincell Holder \varnothing 12mm x1 cells Polyphthalamid/Gold plated terminals

Article-No.: 015.70.124

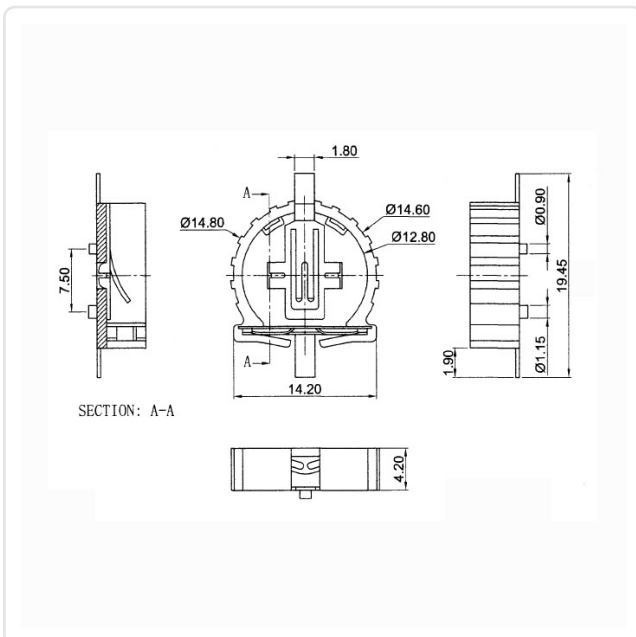


Image may be similar

Battery Type:	Cell Dia. 12mm
Cell diameter [mm]:	\varnothing 12.0
Finish:	Gold-Plated
Flammability Class:	UL94-V0
Height [mm]:	4.2
Material:	PPS - Polyphenylene Sulfide
Material Group:	Plastic
Model:	SMD Connection
No. Cells:	1
Weight:	0.9g
Conformities:	<div style="display: flex; align-items: center; gap: 10px;"> <div style="border: 1px solid green; padding: 2px; font-size: 8px;">Reach COMPLIANT</div> <div style="border: 1px solid red; padding: 2px; font-size: 8px;">RoHS NOT COMPLIANT</div> <div style="border: 1px solid red; padding: 2px; font-size: 8px;">SVHC NOT COMPLIANT</div> </div>



You can find all information on the web on our article detail page



Would you like individual advice?

We look forward to your email to products@ettinger.de.

Subject to change and errors.