

Article datasheet

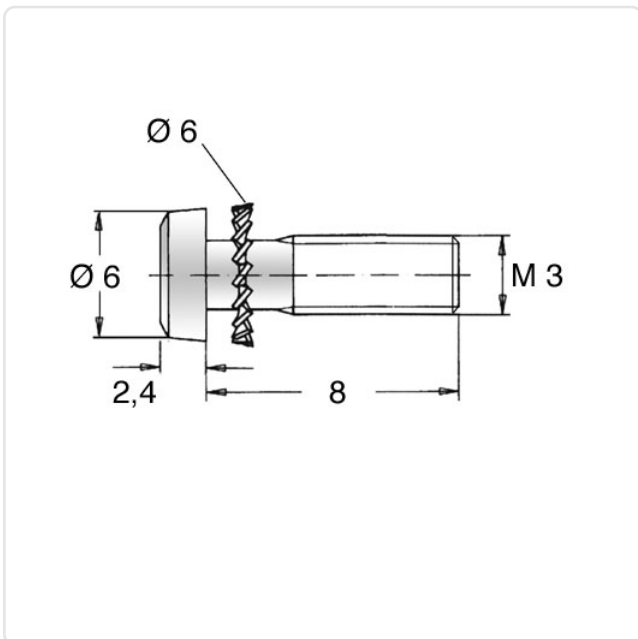
## SEMS Screw ISO14583 TX Z7 M3x8 Galv. Steel 8.8 Serrated Lock Washer

Article-No.: 081.55.333



Image may be similar

Actuator Size:	Torx T10
Combination:	Serrated Lock Washer DIN6907
DIN/ISO:	ISO14583
Drive Type:	TORX
Finish:	Galvanized, Blue, 5 µm, A2K
Head Diameter [mm]:	5.6
Head Height [mm]:	2.4
Head Shape:	Pan Head
Length [mm]:	8
Material:	Steel 8.8, lead-free
Thread Size:	M3
Weight:	0.79g
Conformities:	



You can find all information on the web on our article detail page

Would you like individual advice?

We look forward to your email to [products@ettinger.de](mailto:products@ettinger.de).

Subject to change and errors.