

Article datasheet

Solder Terminal Lug $\varnothing 2.6/4.5 \times 12.0$ mm Brass silver-plated 0.4mm thick

Article-No.: 019.05.029

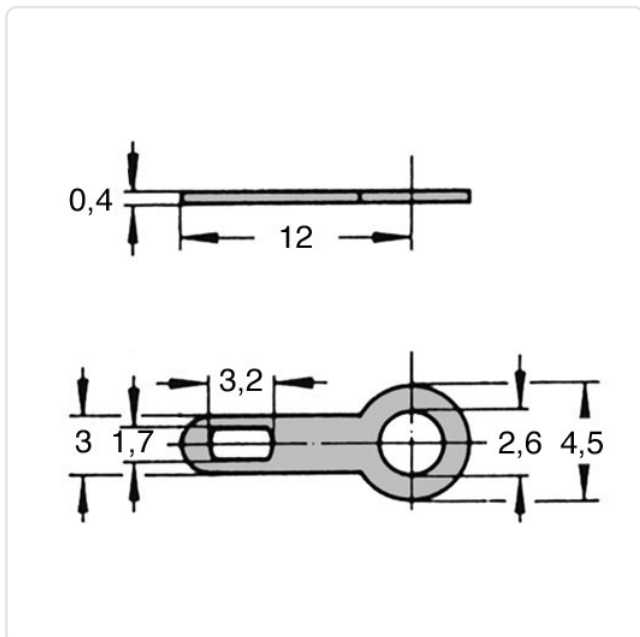


Image may be similar

Finish: Silver-Plated
Inner Diameter [mm]: 2.6
Length [mm]: 12
Material: Brass CW508L / CuZn37, lead-free
Material Group: Brass
Outer Diameter [mm]: 4.5
Weight: 0.11g
Conformities:



You can find all
information on the web on
our article detail page



Would you like individual advice?

We look forward to your email to products@ettinger.de.

Subject to change and errors.