

Article datasheet

## Conical Spring Washer $\varnothing 2.7/5.1 \times 0.3$ Galvanized Spring Steel

Article-No.: 003.24.921

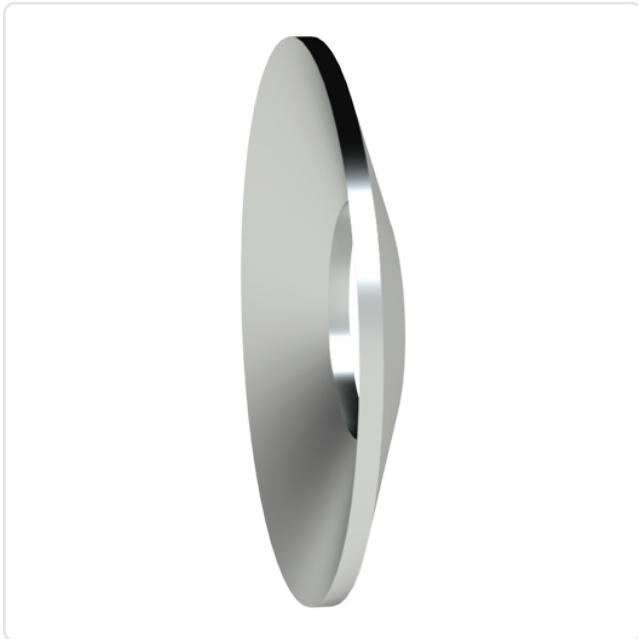
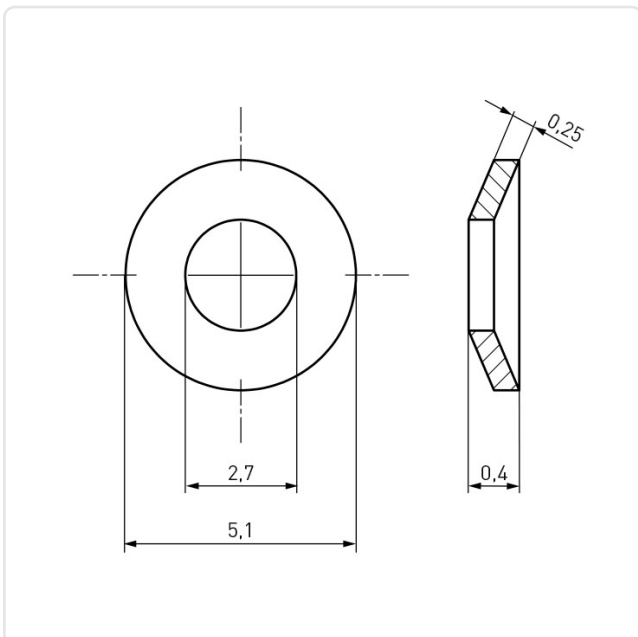


Image may be similar

Finish: Galvanized, Blue, 5  $\mu\text{m}$ , A2K  
For Thread Size: M2.5  
Height [mm]: 0.25  
Inner Diameter [mm]: 2.7  
Material: Spring Steel  
Material Group: Steel  
Outer Diameter [mm]: 5.1  
Weight: 0.03g  
Conformities:



You can find all information on the web on our article detail page



Would you like individual advice?

We look forward to your email to [products@ettinger.de](mailto:products@ettinger.de).

Subject to change and errors.