

Article datasheet

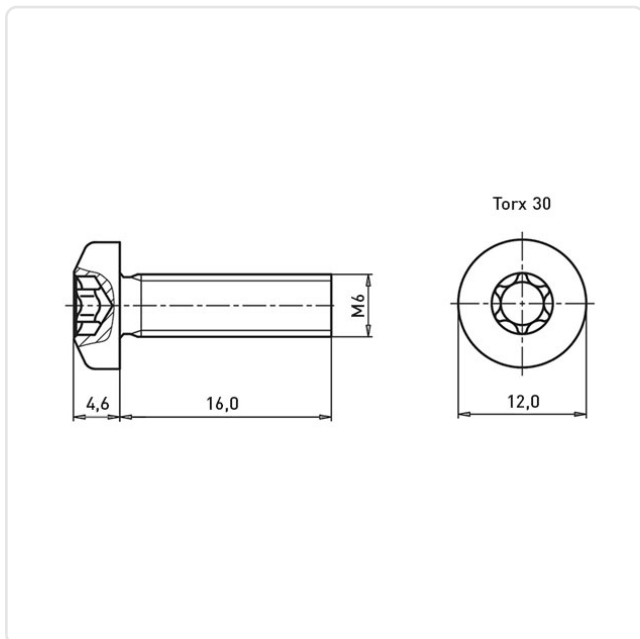
## Flat Head Screw ISO14583 M6x16 A2 Plain Stainless Steel Torx Pan Head

Article-No.: 001.64.662



Image may be similar

Actuator Size:	Torx T30
DIN/ISO:	ISO14583
Drive Type:	TORX
Finish:	Plain
Head Diameter [mm]:	12
Head Height [mm]:	4.6
Head Shape:	Pan Head
Length [mm]:	16
Material:	Stainless Steel AISI 304 / A2
Material Group:	Stainless Steel
Thread Size:	M6
Weight:	5.4g
Conformities:	



You can find all  
information on the web on  
our article detail page

Would you like individual advice?

We look forward to your email to [products@ettinger.de](mailto:products@ettinger.de).

Subject to change and errors.