

Article datasheet

Ball Knob, bright polished / \varnothing 10mm M3 similar DIN319-C

Article-No.: 002.34.130

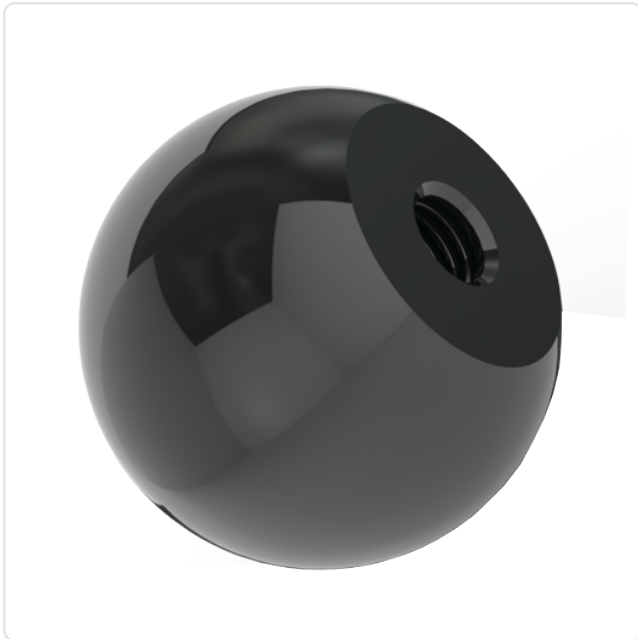
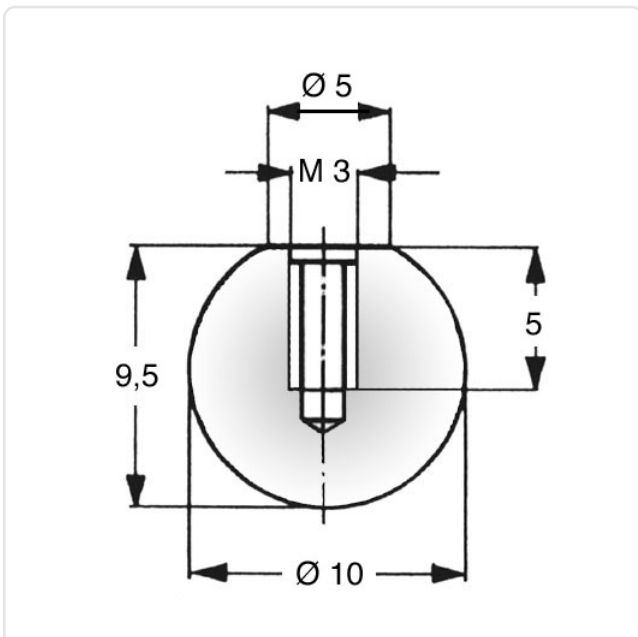


Image may be similar

Color: Black
Diameter [mm]: 10
Material: PA 6.0
Material Group: Zink-Druckguss
Thread Size: M3
Weight: 0.65g
Conformities:



You can find all
information on the web on
our article detail page



Would you like individual advice?

We look forward to your email to products@ettinger.de.

Subject to change and errors.