

Article datasheet

Retaining Ring Ø9.0/16.0 x 3.5 POM red

Article-No.: 003.15.110

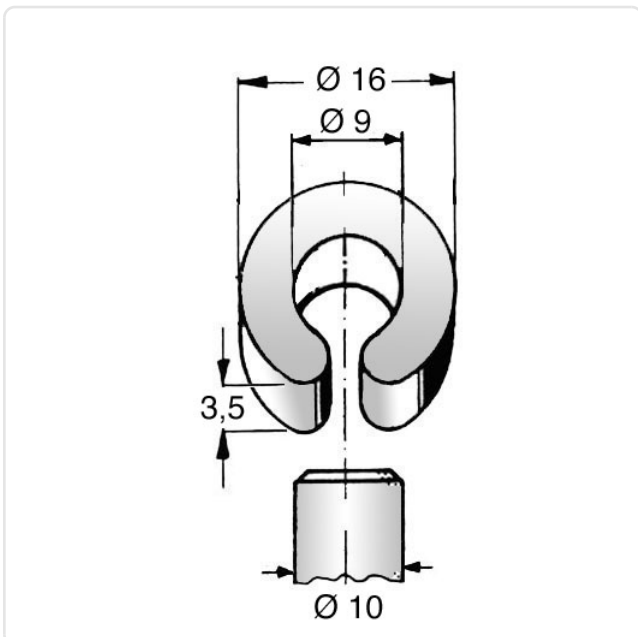


Image may be similar

Color: Red
Height [mm]: 3.5
Inner Diameter [mm]: 9
Material: POM - Polyoxymethylene
Material Group: Kunststoff
Outer Diameter [mm]: 16
Weight: 0.57g
Conformities:



You can find all
information on the web on
our article detail page



Would you like individual advice?

We look forward to your email to products@ettinger.de.

Subject to change and errors.