

Article datasheet

Shorty Bushings / for Limited Internal Clearance

Article-No.: 014.07.050

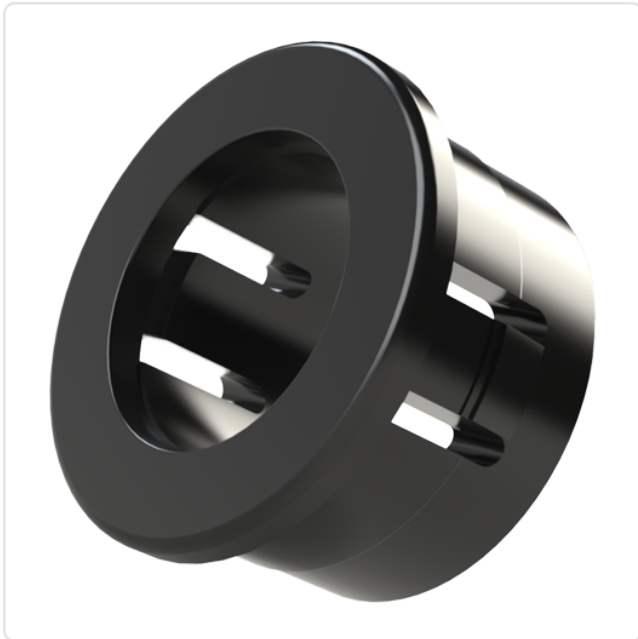
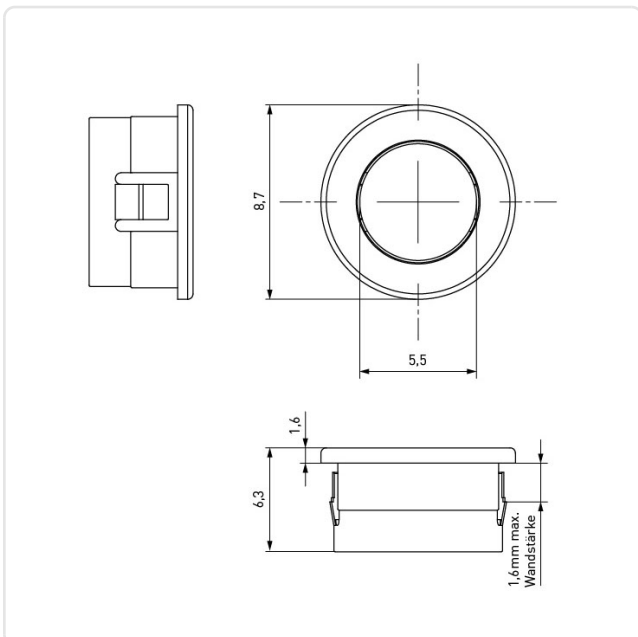


Image may be similar

Color:	Black
Inner Diameter [mm]:	5.5
Material:	PA 6.6
Material Group:	Plastic
Max. Panel Thickness [mm]:	1.6
Mounting Hole [mm]:	7.1
Outer Diameter [mm]:	8.7
Weight:	0.09g
Conformities:	



You can find all information on the web on our article detail page



Would you like individual advice?

We look forward to your email to products@ettinger.de.

Subject to change and errors.