

Article datasheet

Blade Terminal 2.8x0.8 | 13.0 Tin-Plated Brass 200 pcs. On Wire

Article-No.: 019.21.515

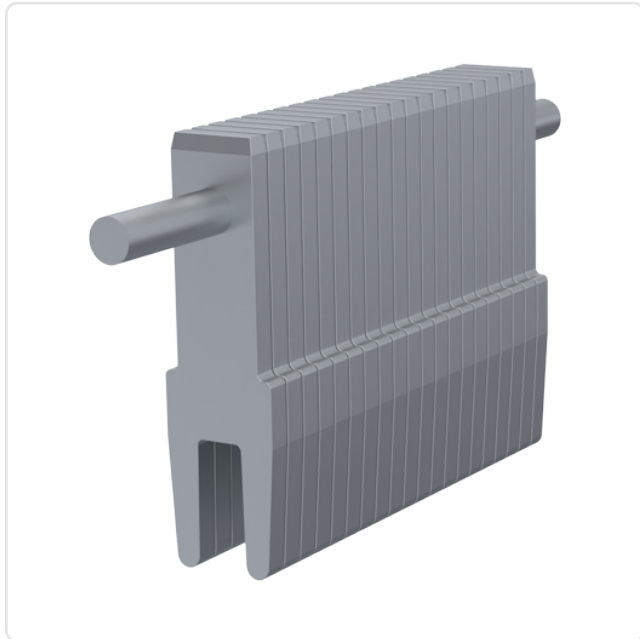
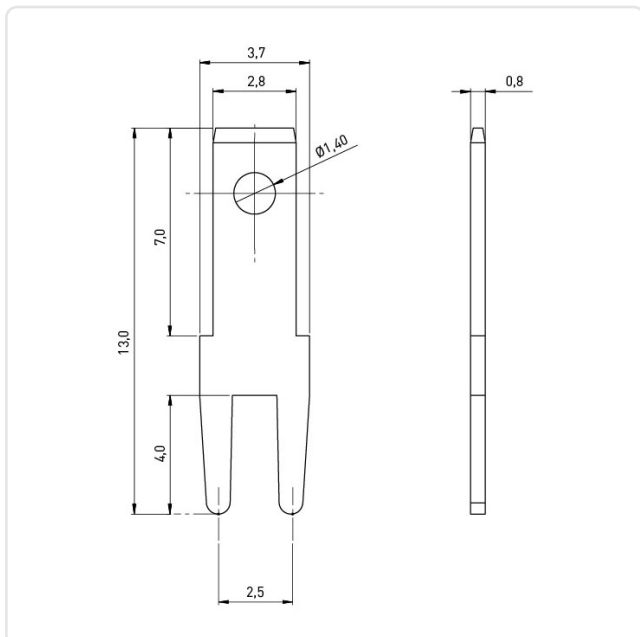


Image may be similar



Bending Angle [°]:	0
Finish:	Tin-Plated
Grid [mm]:	2.54
Length [mm]:	13
Material:	Brass
Material Group:	Brass
PCB Hole Ø [mm]:	1.1
Plug-In Length [mm]:	7
Size [mm]:	2.8x0.8
Tabs:	1
Weight:	0.22g
Conformities:	



You can find all information on the web on our article detail page

Would you like individual advice?

We look forward to your email to products@ettinger.de.

Subject to change and errors.