

Article datasheet

Flanged Bearing $\varnothing 8/14/20 \times 10$ -2mm Polyamid 6.6 natural

Article-No.: 005.99.089

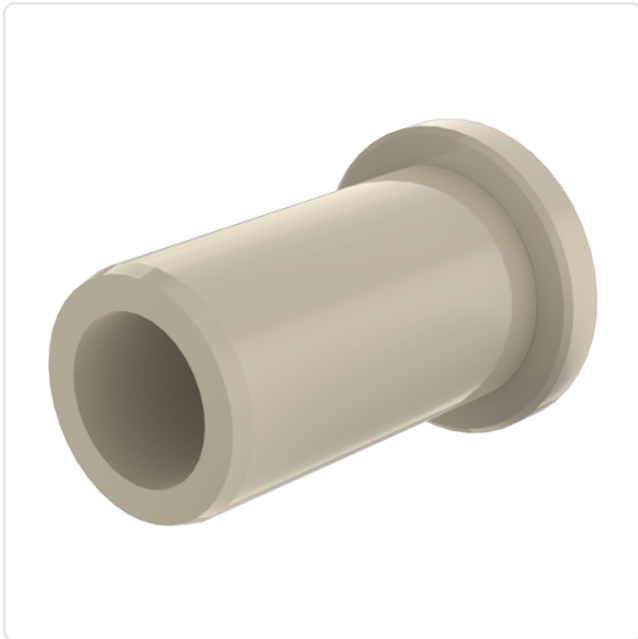
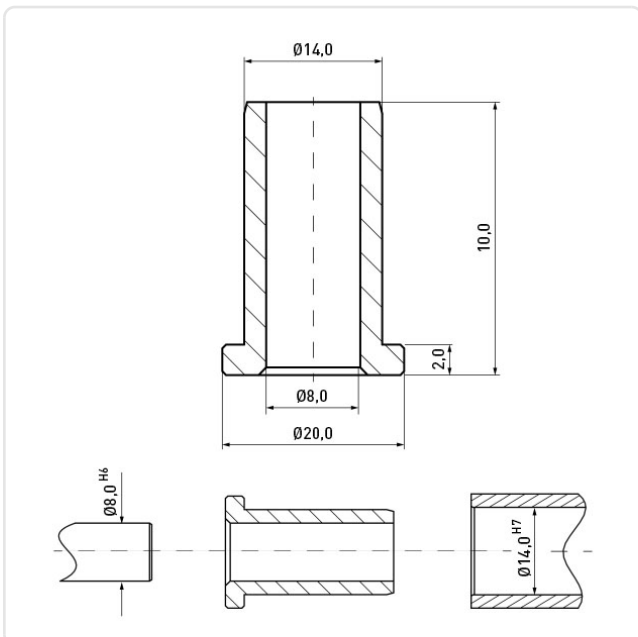


Image may be similar

Color: Natural
Flammability Class: UL94-V2
Inner Diameter [mm]: 8
Length [mm]: 10
Lug Diameter [mm]: 14
Material: PA 6.6
Material Group: Plastic
Model: With High Lug
Outer Diameter [mm]: 20
Weight: 1.57g
Conformities:



You can find all information on the web on our article detail page



Would you like individual advice?

We look forward to your email to products@ettinger.de.

Subject to change and errors.