

Article datasheet

Cap for COM - Knob \varnothing 40 mm with recess

Article-No.: 028.40.309

Manufacturer: OKW Gehäusesysteme

Manufacturer article-no.: A32.40.109

OKW
GEHÄUSE
SYSTEME

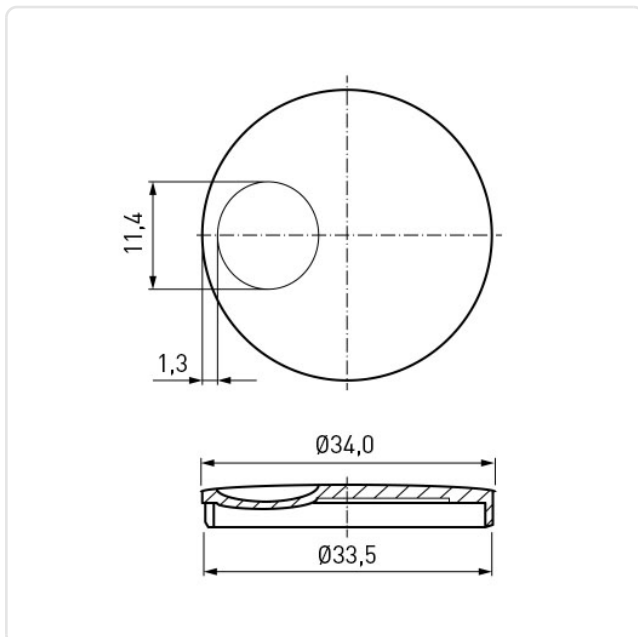


Image may be similar

Color: Black
Material: PA 6.0
Material Group: Plastic
Model: Cap for COM Knob
Outer Diameter [mm]: 40
Weight: 2.3g
Conformities:



You can find all
information on the web on
our article detail page



Would you like individual advice?

We look forward to your email to products@ettinger.de.

Subject to change and errors.