

Article datasheet

Cap for COM-Knob \varnothing 40 mm

Article-No.: 041.40.008

Manufacturer: OKW Gehäusesysteme

Manufacturer article-no.: A41.40.008

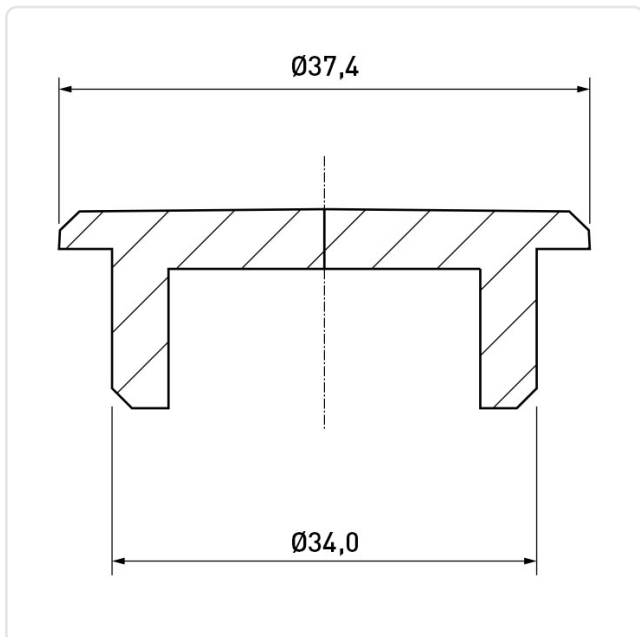


Image may be similar

Color: Gray
Material: ABS - Acrylonitrile Butadiene Styrene
Material Group: Plastic
Model: Cap for Combination Knob
Outer Diameter [mm]: 37.4
Weight: 1.79g
Conformities:



You can find all information on the web on our article detail page



Would you like individual advice?

We look forward to your email to products@ettinger.de.

Subject to change and errors.