

Article datasheet

Hole Grommet 5.0/8.0-2.0mm PVC black

Article-No.: 014.60.363

Manufacturer: SES-Sterling

Manufacturer article-no.: 0107 0012 010

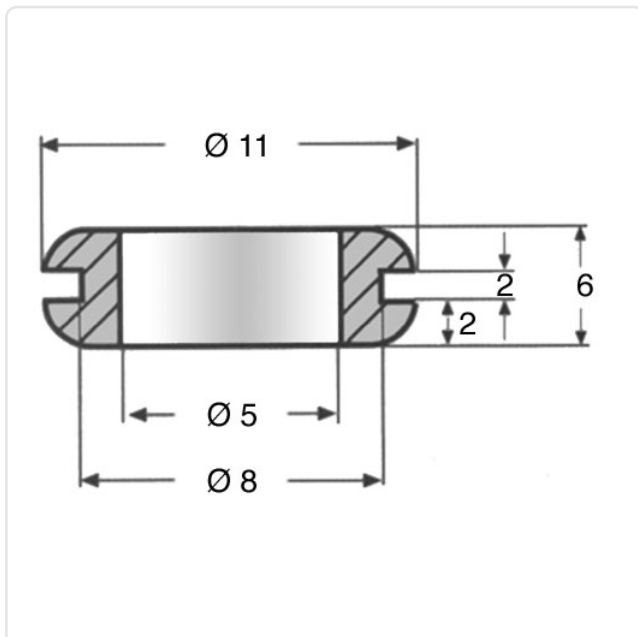


Image may be similar

Color: Black
Inner Diameter [mm]: 5
Material: PVC - Polyvinyl Chloride
Material Group: Kunststoff
Max. Panel Thickness [mm]: 2
Mounting Hole [mm]: 8
Weight: 0.44g
Conformities:



You can find all information on the web on our article detail page



Would you like individual advice?

We look forward to your email to products@ettinger.de.

Subject to change and errors.