

Article datasheet

Fast On Extension 6.3x0.8mm up to 1mm² Brass tinned - PVC red not UL-listed

Article-No.: 012.68.812

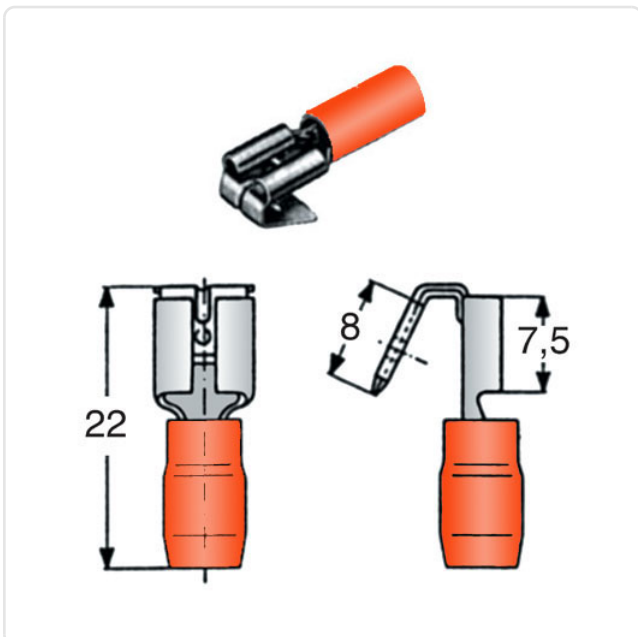


Image may be similar

Color: Red
Finish: Tin-Plated
Insulation: PVC
Length [mm]: 22
Material: Brass
Material Group: Brass
Size [mm]: 6.3x0.8
Weight: 1.41g
Conformities:



You can find all information on the web on our article detail page



Would you like individual advice?

We look forward to your email to products@ettinger.de.

Subject to change and errors.