

Article datasheet

## Battery Contact for "A"+"AA" cells Spring steel tin nickel plate

Article-No.: 015.83.685

Manufacturer: Keystone Electronics

Manufacturer article-no.: 596

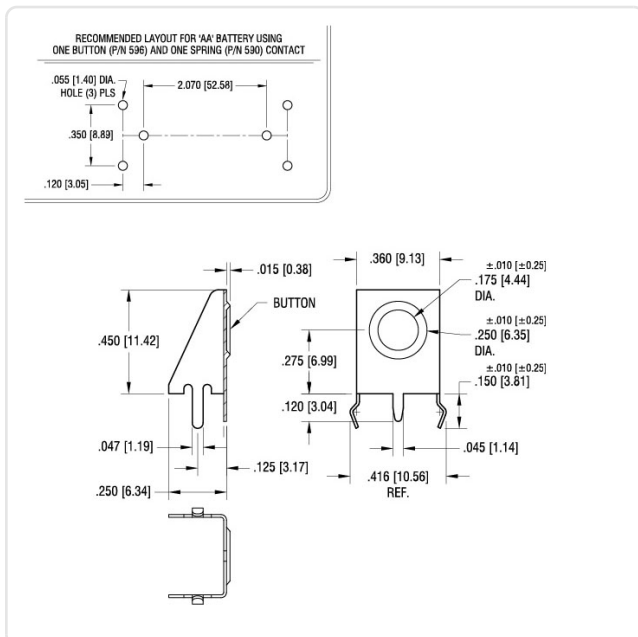


Image may be similar

Battery Type: AA-Mignon  
 Finish: Nickel-Plated, 3 µm, E1E  
 Material: Spring Steel  
 Material Group: Steel  
 Width [mm]: 9.1  
 Weight: 0.49g  
 Conformities:



You can find all information on the web on our article detail page



Would you like individual advice?

We look forward to your email to [products@ettinger.de](mailto:products@ettinger.de).

Subject to change and errors.