

Article datasheet

## Flat Cable Clamp to Snap-in $\varnothing$ 4.8mm Polyamid 6.6 natural UL94-V2 E70062

Article-No.: 072.51.396

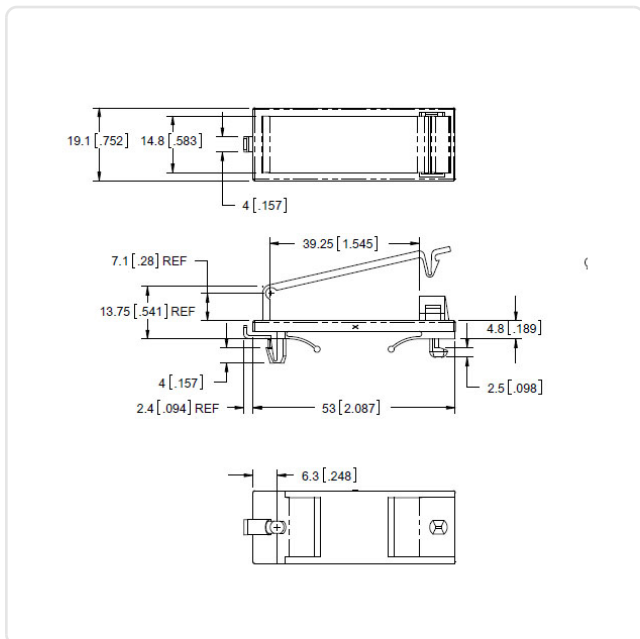


Image may be similar

Bundle Diameter [mm]: 10,0-18,0  
 Color: White  
 Height [mm]: 13.8  
 Material: PA 6.6  
 Model: Flat Cable  
 Mounting Hole [mm]: 4.8  
 Panel Thickness [mm]: 1.85mm  
 Width [mm]: 53  
 Weight: 0.37g  
 Conformities:



You can find all information on the web on our article detail page



Would you like individual advice?

We look forward to your email to [products@ettinger.de](mailto:products@ettinger.de).

Subject to change and errors.