

Article datasheet

## Contact Washer $\varnothing 4.2/8.0 \times 0.8$ A4 Plain Stainless Steel

Article-No.: 003.20.049

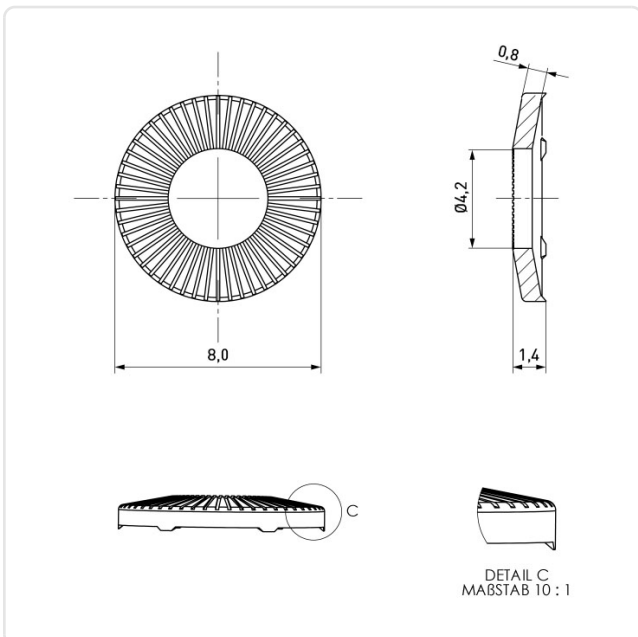


Image may be similar

Finish: Plain  
For Thread Size: M4  
Height [mm]: 0.8  
Inner Diameter [mm]: 4.2  
Material: Stainless Steel AISI 316 / A4  
Material Group: Stahl rostfrei  
Outer Diameter [mm]: 8  
Weight: 0.2g  
Conformities:



You can find all information on the web on our article detail page



Would you like individual advice?

We look forward to your email to [products@ettinger.de](mailto:products@ettinger.de).

Subject to change and errors.