

Article datasheet

## Swage Standoff $\text{\O}3.6 \times 4.0$ Tin-Plated Steel

Article-No.: 004.61.715

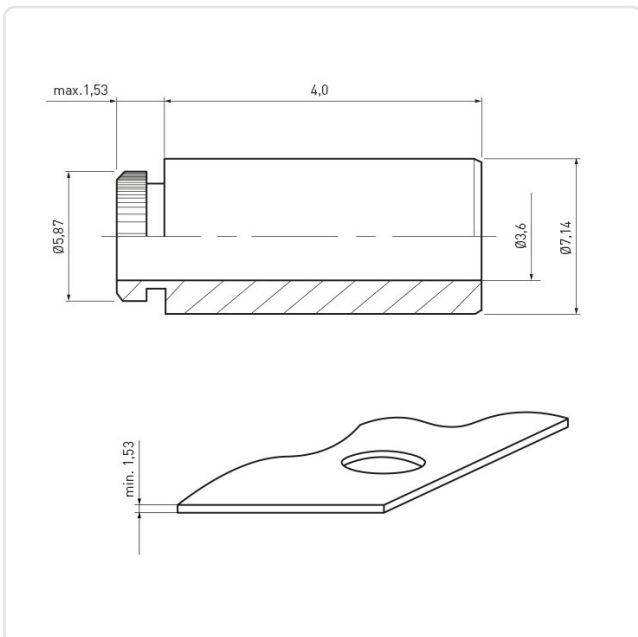


Image may be similar

Area of Application:	For Plastics
Finish:	Tin-Plated
Inner Diameter [mm]:	3.6
Length [mm]:	4
Material:	Steel
Minimum Edge Distance [mm]:	5,5
Outer Diameter [mm]:	7.1
Panel Hole $\text{\O}$ [mm]:	5.4
Panel Thickness [mm]:	1,5
Weight:	1.06g
Conformities:	



You can find all  
information on the web on  
our article detail page



Would you like individual advice?

We look forward to your email to [products@ettinger.de](mailto:products@ettinger.de).

Subject to change and errors.