

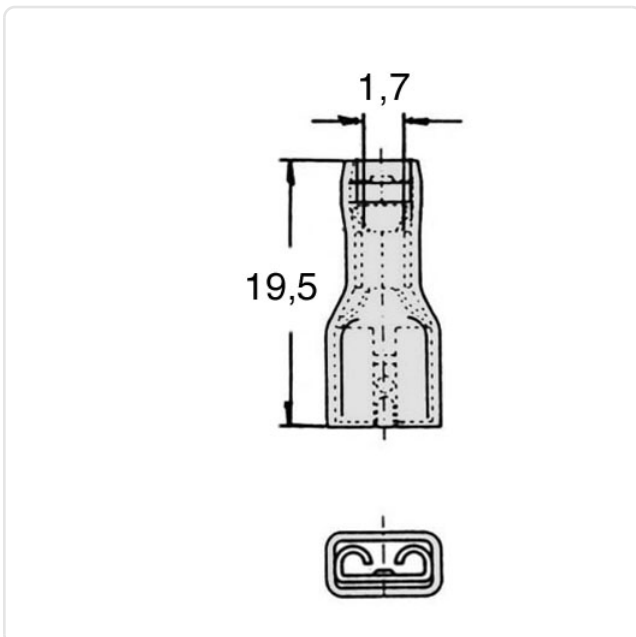
Article datasheet

Fast On DIN 46245 4.8x0.8mm-1mm² Brass tinned PVC red UL E235796

Article-No.: 012.48.182



Image may be similar



Color:	Red
DIN/ISO:	DIN46245
Finish:	Tin-Plated
Insulation:	PVC
Length [mm]:	19.5
Material:	Brass
Material Group:	Messing
Size [mm]:	4.8x0.8
Wire Cross Section [mm ²]:	0.5-1.0
Weight:	0.99g
Conformities:	



You can find all
information on the web on
our article detail page

Would you like individual advice?

We look forward to your email to products@ettinger.de.

Subject to change and errors.