

Article datasheet

Cable Clamp Two-Sided Fastening \varnothing 6.0 | Hole \varnothing 3.2 | Nickel-Plated Steel

Article-No.: 014.42.268

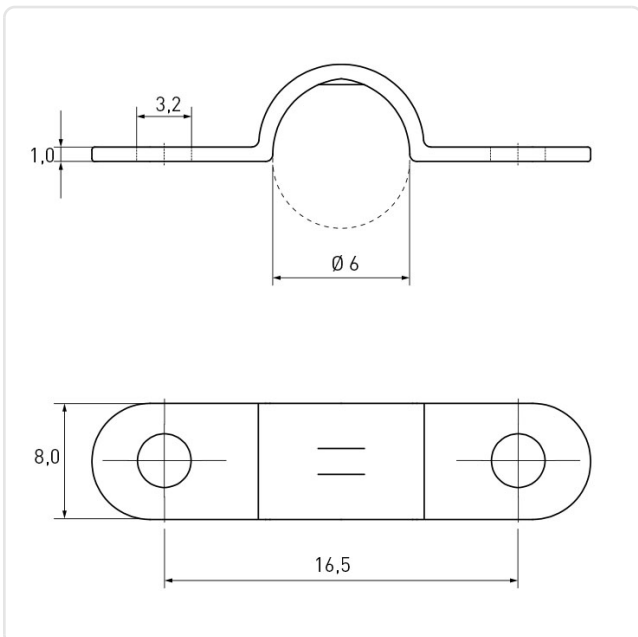


Image may be similar

Bundle Diameter [mm]:	6
Distance Middle/Middle [mm]:	16.5
Finish:	Nickel-Plated, 3 μ m, E1E
Length [mm]:	24
Material:	Steel
Mounting Hole [mm]:	3.2
Thickness [mm]:	1
Width [mm]:	8
Weight:	1.71g
Conformities:	



You can find all information on the web on our article detail page



Would you like individual advice?

We look forward to your email to products@ettinger.de.

Subject to change and errors.