

Article datasheet

Flanged Bearing $\varnothing 10/13/18 \times 8$ -2mm Polyamid 6.6 natural/UL94-V2

Article-No.: 005.99.107

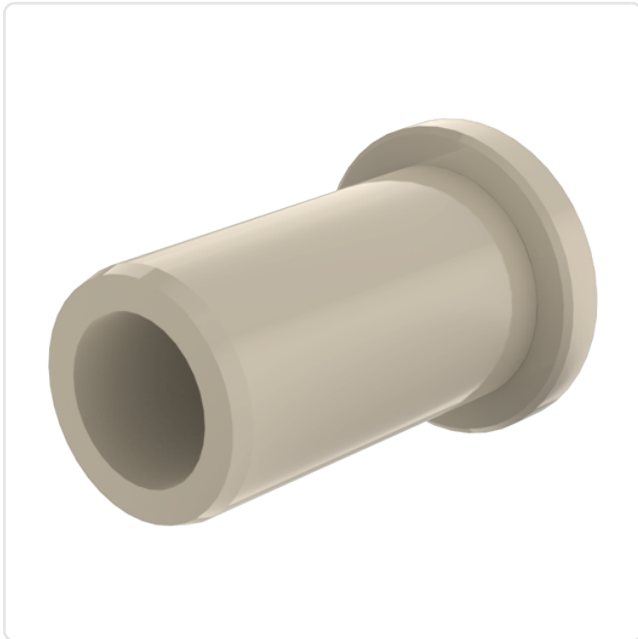


Image may be similar

Color:	Natural
Flammability Class:	UL94-V2
Inner Diameter [mm]:	10
Length [mm]:	8
Lug Diameter [mm]:	13
Material:	PA 6.6
Material Group:	Plastic
Model:	With High Lug
Outer Diameter [mm]:	18
Weight:	0.73g
Conformities:	



You can find all
information on the web on
our article detail page

Would you like individual advice?

We look forward to your email to products@ettinger.de.

Subject to change and errors.

