

Article datasheet

## Cable connection for PG11 clamping range $\varnothing$ 4-10 / PA / grey

Article-No.: 014.25.118

Manufacturer: LAPP

Manufacturer article-no.: 53015020

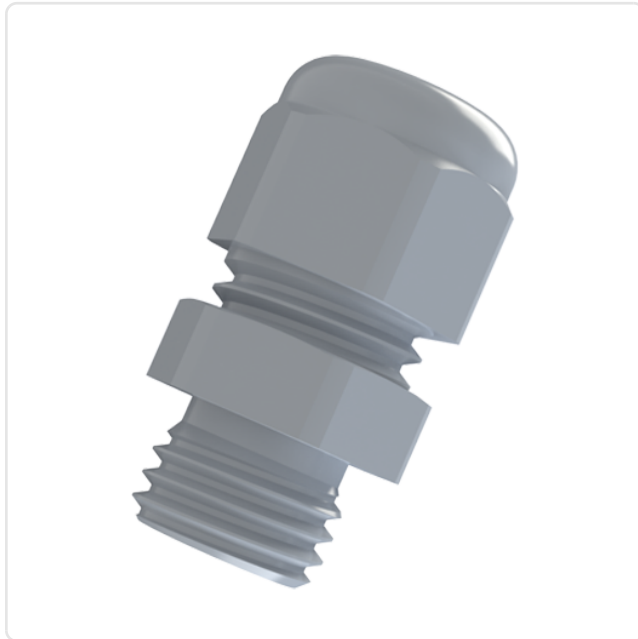


Image may be similar

AF / OD [mm]:	22
Color:	Gray
Material:	PA 6.0
Material Group:	Plastic
Mounting Hole [mm]:	19
Panel Thickness Range [mm]:	4.0-10.0
Protection Code:	IP68
Thread Size:	PG11
Weight:	9.03g
Conformities:	



You can find all information on the web on our article detail page

Would you like individual advice?

We look forward to your email to [products@ettinger.de](mailto:products@ettinger.de).

Subject to change and errors.

