

Article datasheet

## Hole Grommet 5.0/8.0-1.5mm PVC black

Article-No.: 014.60.343

Manufacturer: SES-Sterling

Manufacturer article-no.: 0107 0011 010

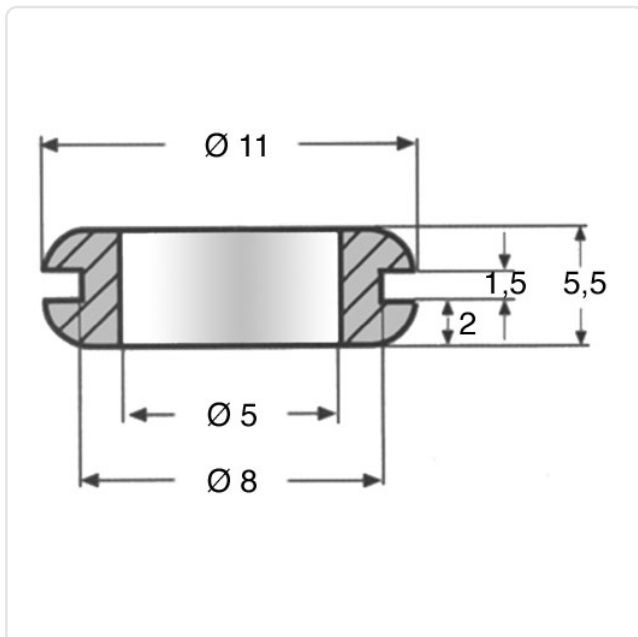


Image may be similar

Color: Black  
Inner Diameter [mm]: 5  
Material: PVC - Polyvinyl Chloride  
Material Group: Plastic  
Max. Panel Thickness [mm]: 1.5  
Mounting Hole [mm]: 8  
Weight: 0.42g  
Conformities:



You can find all information on the web on our article detail page



Would you like individual advice?

We look forward to your email to [products@ettinger.de](mailto:products@ettinger.de).

Subject to change and errors.