

Article datasheet

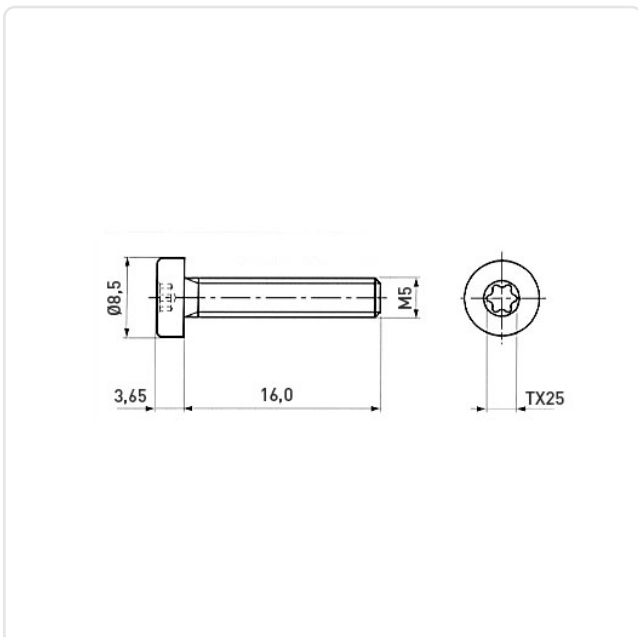
## Cheese Head Screw ISO14580 M5x16 Black Galvanized Steel 8.8 Torx

Article-No.: 001.63.560



Image may be similar

Actuator Size:	Torx T25
DIN/ISO:	ISO14580
Drive Type:	TORX
Finish:	Galvanized, Black, 5 µm, A2R
Head Diameter [mm]:	8.5
Head Height [mm]:	3.65
Head Shape:	Flat Cheese Head
Length [mm]:	16
Material:	Steel 8.8
Material Group:	Stahl
Thread Size:	M5
Weight:	3.32g
Conformities:	



You can find all  
information on the web on  
our article detail page

Would you like individual advice?

We look forward to your email to [products@ettinger.de](mailto:products@ettinger.de).

Subject to change and errors.