

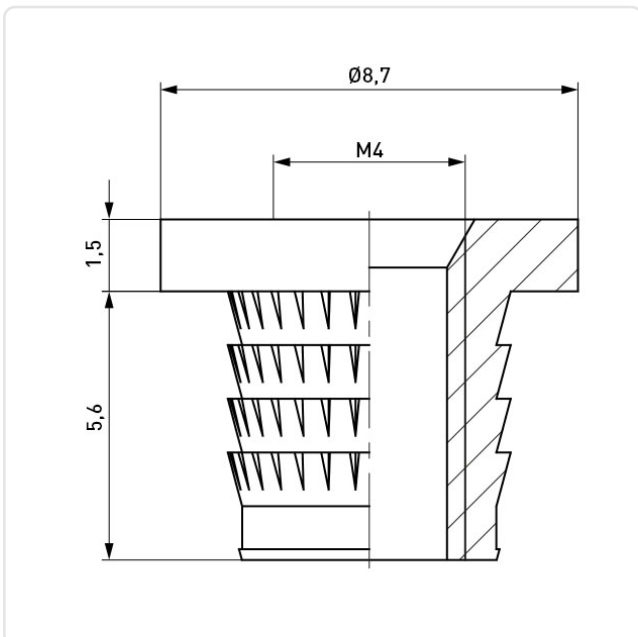
Article datasheet

Thread Insert M4 | 5.6 Plain Brass

Article-No.: 002.21.442



Image may be similar



Finish:	Plain
Head Diameter [mm]:	8.7
Length [mm]:	5.6
Material:	Brass
Material Group:	Brass
Minimum Edge Distance [mm]:	2.5
Panel Hole \varnothing [mm]:	5.6
Thread Size:	M4
Weight:	1.29g
Conformities:	



You can find all information on the web on our article detail page

Would you like individual advice?

We look forward to your email to products@ettinger.de.

Subject to change and errors.