

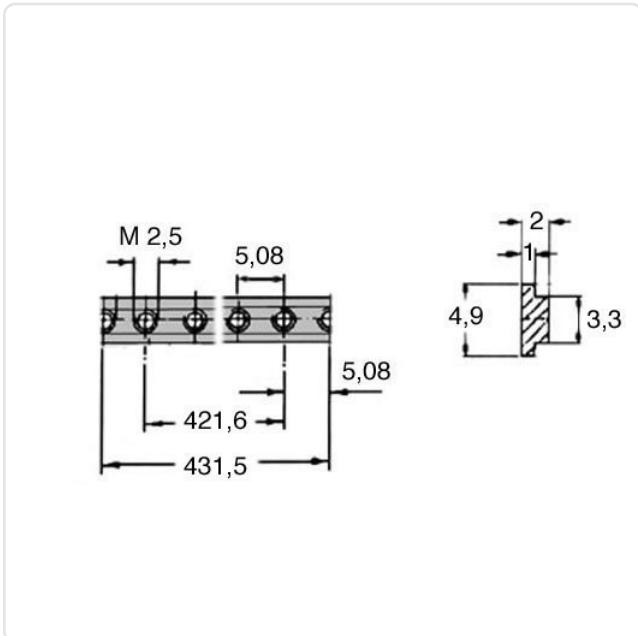
Article datasheet

## Thread Rail Metric M2,5 4,9x2 Steel zinc plated

Article-No.: 002.32.584



Image may be similar



Design:	5.08
Finish:	Galvanized, Blue, 5 µm, A2K
Height [mm]:	2
Length [mm]:	431.5
Material:	Steel
Material Group:	Steel
Thread 1 / Hole 1:	M2.5
Width [mm]:	4.9
hole distance / TE [mm]:	84
Weight:	21.61g
Conformities:	



You can find all  
information on the web on  
our article detail page

Would you like individual advice?

We look forward to your email to [products@ettinger.de](mailto:products@ettinger.de).

Subject to change and errors.