

Article datasheet

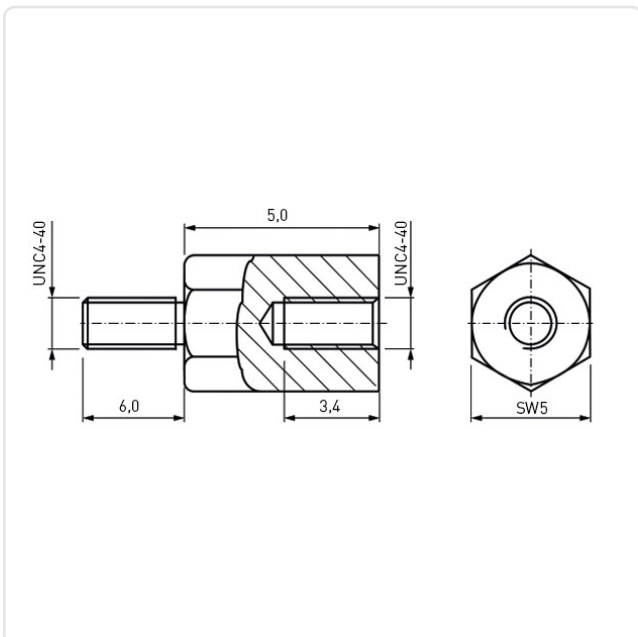
Standoff Nickel-Plated Brass M/F AF5x5 F=4-40x3.4 M=4-40x6 w/ UC

Article-No.: 009.44.653



Image may be similar

| | |
|----------------------------|--------------------------|
| AF / OD [mm]: | 5 |
| Female Thread Length [mm]: | 3.4 |
| Female Thread Size: | UNC4-40 |
| Finish: | Nickel-Plated, 3 µm, E1E |
| Length [mm]: | 5 |
| Male Thread Length [mm]: | 6 |
| Male Thread Size: | UNC4-40 |
| Material: | Brass CW614N / CuZn39Pb3 |
| Material Group: | Messing |
| Profile: | Hexagonal |
| Undercut: | Yes |
| Weight: | 0.93g |
| Conformities: | |



You can find all information on the web on our article detail page

Would you like individual advice?

We look forward to your email to products@ettinger.de.

Subject to change and errors.