

Article datasheet

Power-Element M4 9-pole Brass tinned max. 10A/Pin

Article-No.: 013.47.249

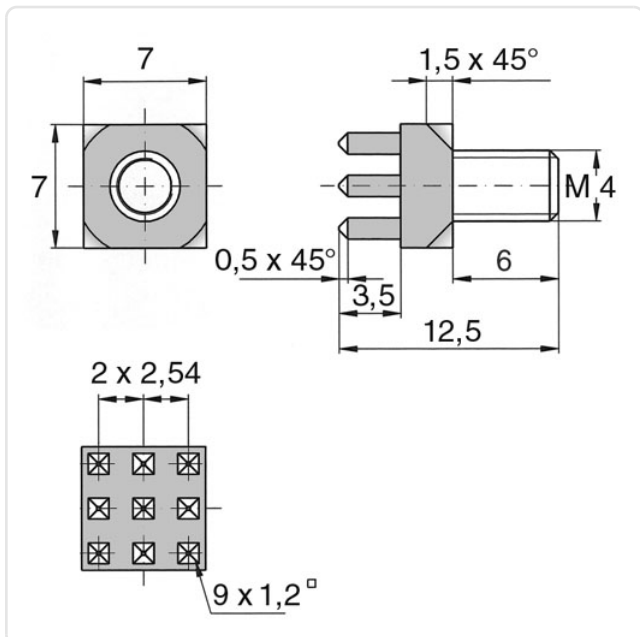


Image may be similar

Amperage [A]:	90
Finish:	Tin-Plated
Grid [mm]:	2.54
Material:	Brass
Material Group:	Brass
PCB Hole Ø [mm]:	1.45
Thread Size:	M4
Weight:	2.03g
Conformities:	



You can find all information on the web on our article detail page



Would you like individual advice?

We look forward to your email to products@ettinger.de.

Subject to change and errors.