

Article datasheet

Rivet Bush M3 | 0.9 - 1.0 Plain Steel

Article-No.: 002.15.131

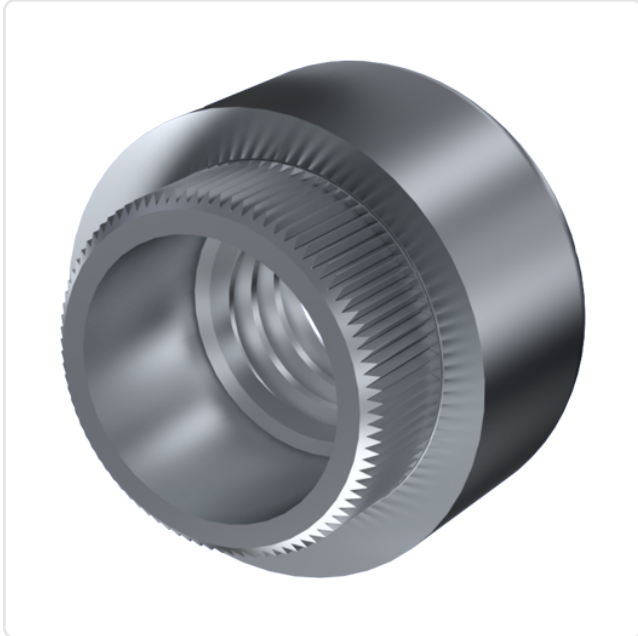
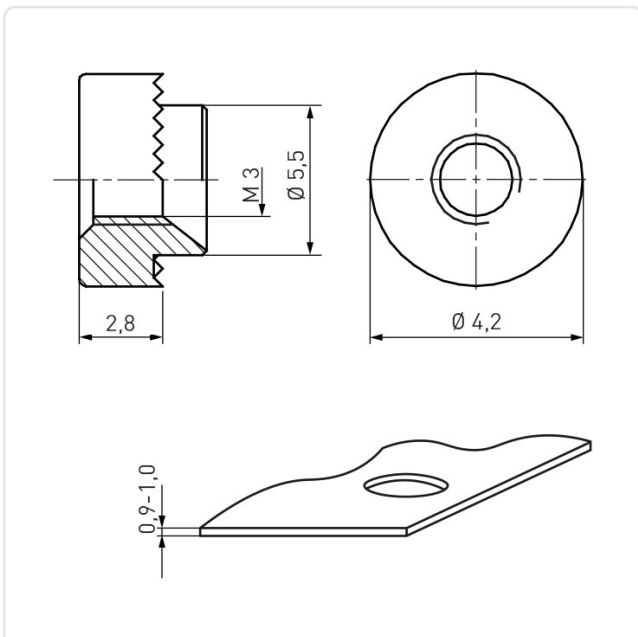


Image may be similar

Finish: Plain
Height [mm]: 2.8
Material: Steel
Outer Diameter [mm]: 5.5
Panel Hole \varnothing [mm]: 4.2
Panel Thickness [mm]: 0,9 - 1,0
Thread Size: M3
Weight: 0.43g
Conformities:



You can find all information on the web on our article detail page



Would you like individual advice?

We look forward to your email to products@ettinger.de.

Subject to change and errors.