

Article datasheet

Fuseholder 5x20mm IP40 max.10A PCB mounting vertical

Article-No.: 015.08.530

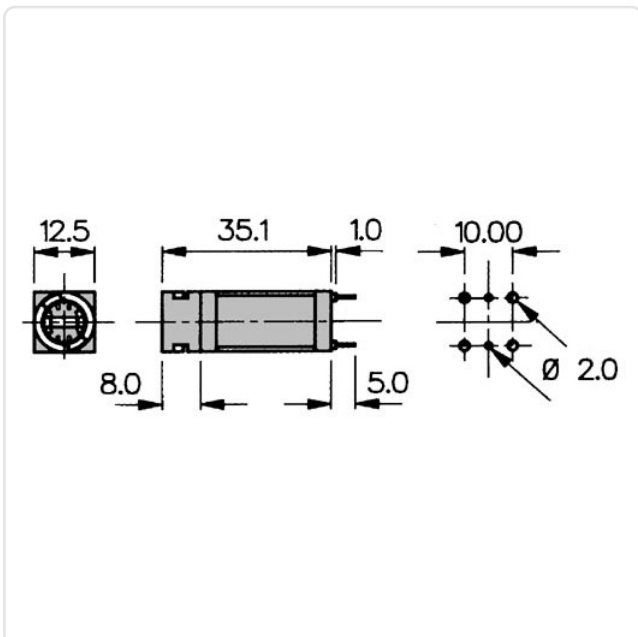


Image may be similar

Amperage [A]: 10
Fuse Size [mm]: 5.0x20.0
Material: Plastic
Model: Fuse Holder
Protection Code: IP40
Weight: 7.8g
Conformities:



You can find all
information on the web on
our article detail page



Would you like individual advice?

We look forward to your email to products@ettinger.de.

Subject to change and errors.