

Article datasheet

Cable terminal DIN 46234 M4-1mm² Copper tinned - outer diameter ø8.0mm

Article-No.: 018.61.445

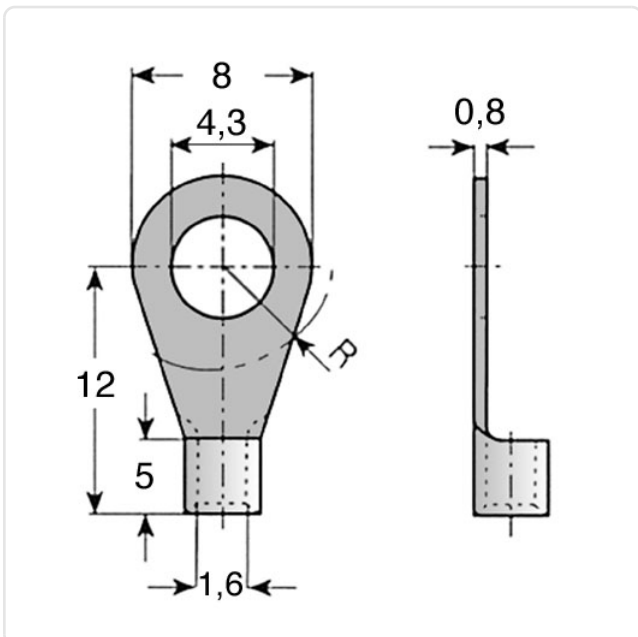


Image may be similar

DIN/ISO:	DIN46234-A
For Thread Size:	M4
Inside Dia.D1 [mm]:	1.6
Material:	Electrolytic Copper
Outer Diameter [mm]:	8
Wire Cross Section [mm ²]:	0.5-1.0
Weight:	0.64g
Conformities:	



You can find all information on the web on our article detail page



Would you like individual advice?

We look forward to your email to products@ettinger.de.

Subject to change and errors.