

Article datasheet

Power-Element M3 ø7mm for PCB mounting with 4-pins

Article-No.: 013.40.533

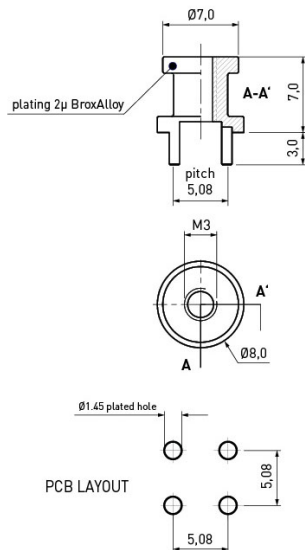


Image may be similar

Amperage [A]:	30
Finish:	Tin-Plated
Grid [mm]:	5.08
Material:	Brass
Material Group:	Brass
PCB Hole Ø [mm]:	1.45
Thread Size:	M3
Weight:	1.34g
Conformities:	



You can find all information on the web on our article detail page



Would you like individual advice?

We look forward to your email to products@ettinger.de.

Subject to change and errors.