

Article datasheet

Fuse Holder Panel Mount 5x20mm Polyester UL94V-0/2.8x0.5mm

Article-No.: 015.08.200

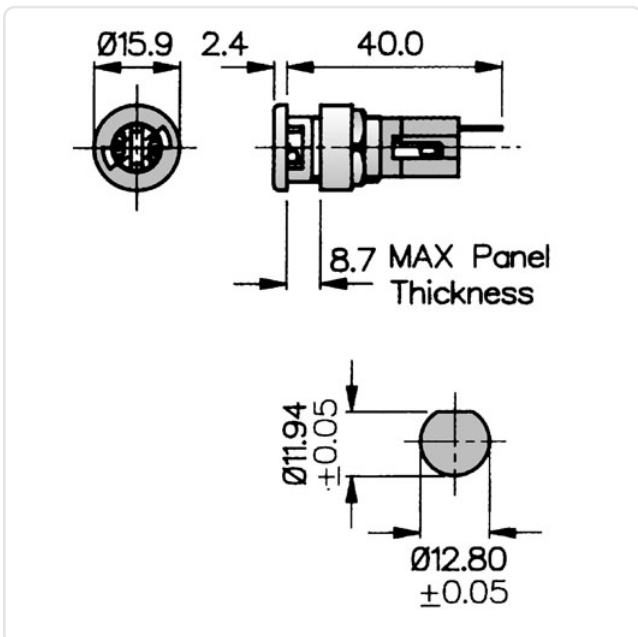


Image may be similar

Amperage [A]: 16
Fuse Size [mm]: 5.0x20.0
Material: PES - Polyester
Model: Fuse Holder
Mounting Hole [mm]: 12.8
Protection Code: IP40
Weight: 7.3g
Conformities:



You can find all
information on the web on
our article detail page



Would you like individual advice?

We look forward to your email to products@ettinger.de.

Subject to change and errors.