

Article datasheet

Ceramic Soldering Strip 6-pole with 2 thread inserts M3

Article-No.: 013.82.806

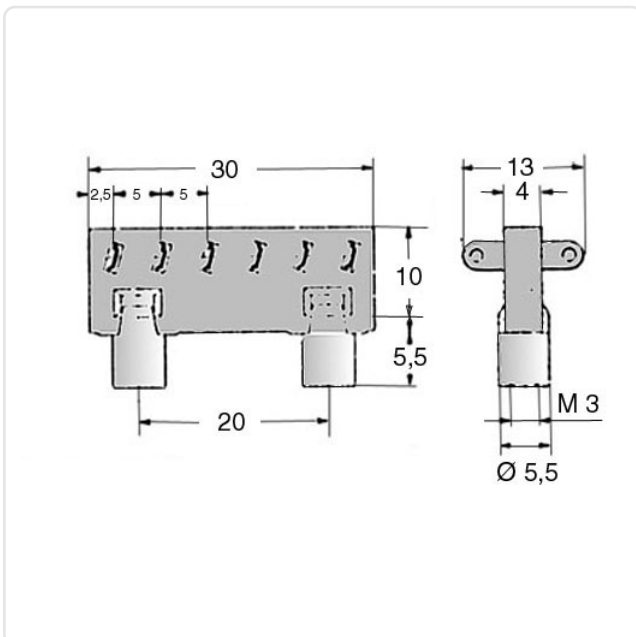


Image may be similar

Diameter [mm]:	5.5
Finish:	Tin-Plated
Grid [mm]:	20.0
Length [mm]:	30
Material:	Ceramic C221
PCB Hole Ø [mm]:	3.2
Weight:	6g
Conformities:	



You can find all information on the web on our article detail page



Would you like individual advice?

We look forward to your email to products@ettinger.de.

Subject to change and errors.