

Article datasheet

LED-Mount for Rectangular LED 2.0mm PVC,black UL94-V0

Article-No.: 063.11.020

Manufacturer: BIVAR

Manufacturer article-no.: ERM 1-2MM

BIVAR

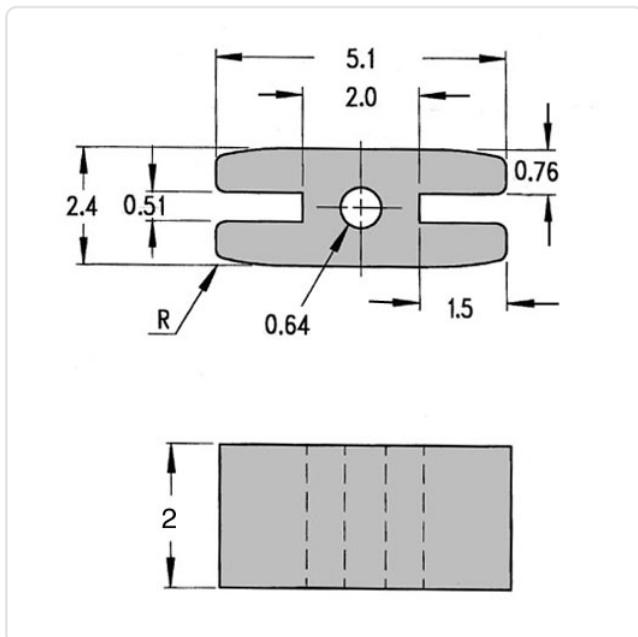


Image may be similar

Color: Black
Flammability Class: UL94-V0
Length [mm]: 2
Material: PVC - Polyvinyl Chloride
Material Group: Plastic
Width [mm]: 5.1
Weight: 0.02g
Conformities:



You can find all
information on the web on
our article detail page



Would you like individual advice?

We look forward to your email to products@ettinger.de.

Subject to change and errors.