

Article datasheet

IEC Power Inlet for PCB mounting Black,with protection cover

Article-No.: 039.61.817

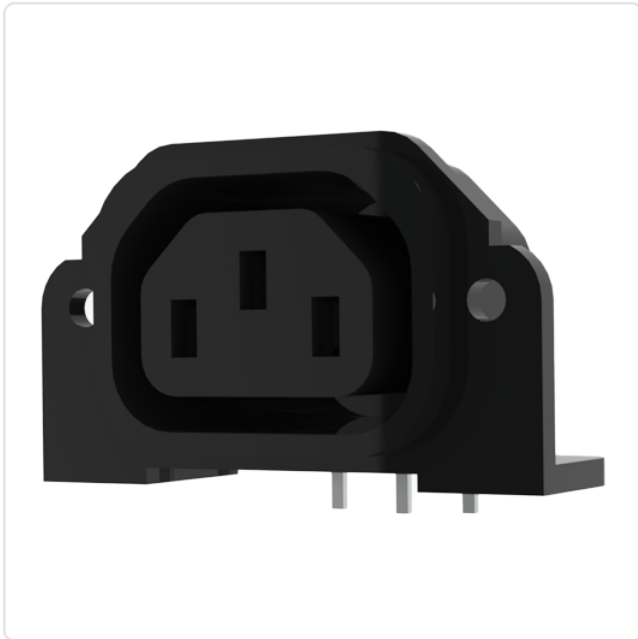


Image may be similar

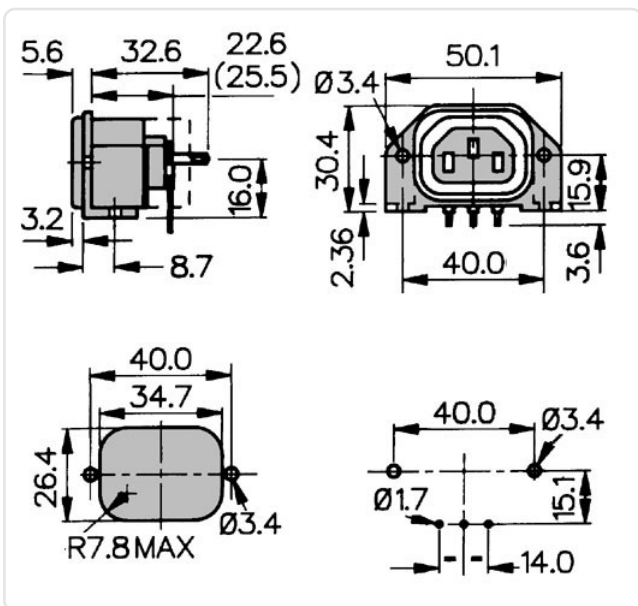
Amperage [A]: 10
 Color: Black
 Model: Socket, Screw/PCB Mounting
 Weight: 14.8g
 Conformities:



You can find all information on the web on our article detail page

Would you like individual advice?

We look forward to your email to products@ettinger.de.



Subject to change and errors.