

Article datasheet

Soldering tag $\varnothing 6.4 \times 12.0$ mm Brass silver-plated 0.3mm thick

Article-No.: 019.05.069

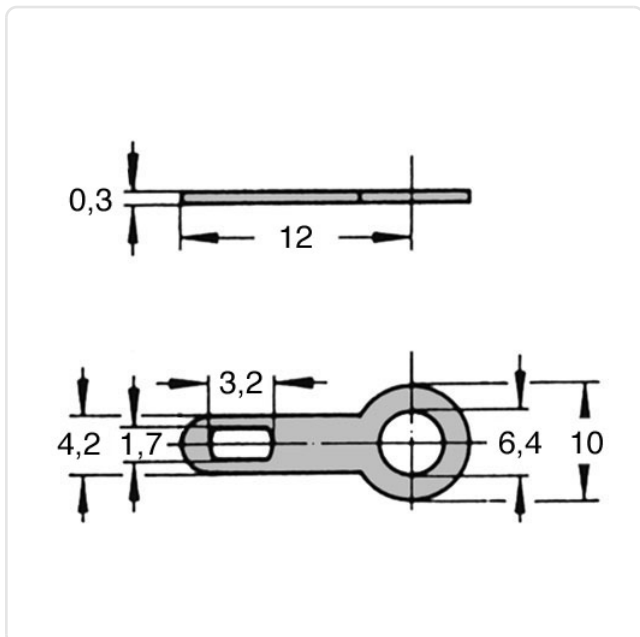


Image may be similar

Finish:	Silver-Plated
Inner Diameter [mm]:	6.4
Length [mm]:	12
Material:	Brass CW508L / CuZn37, lead-free
Material Group:	Brass
Outer Diameter [mm]:	10
Weight:	0.17g
Conformities:	



You can find all
information on the web on
our article detail page



Would you like individual advice?

We look forward to your email to products@ettinger.de.

Subject to change and errors.