

Article datasheet

Split Washer DIN127 B \varnothing 2.6/5.1 x 0.6 Galvanized Spring Steel

Article-No.: 003.63.021

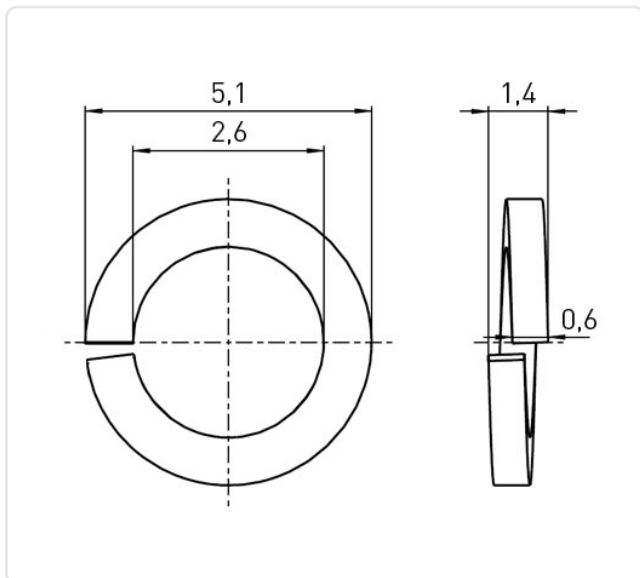


Image may be similar

DIN/ISO:	DIN127B
Finish:	Galvanized, Blue, 5 μ m, A2K
For Thread Size:	M2.5
Height [mm]:	0.6
Inner Diameter [mm]:	2.6
Material:	Spring Steel
Material Group:	Steel
Outer Diameter [mm]:	5.1
Weight:	0.06g
Conformities:	



You can find all
information on the web on
our article detail page



Would you like individual advice?

We look forward to your email to products@ettinger.de.

Subject to change and errors.