

Article datasheet

## Card Guide for 1/16"PCB 34.9mm Polyamid 6.6 natural UL94-V2

Article-No.: 075.14.230

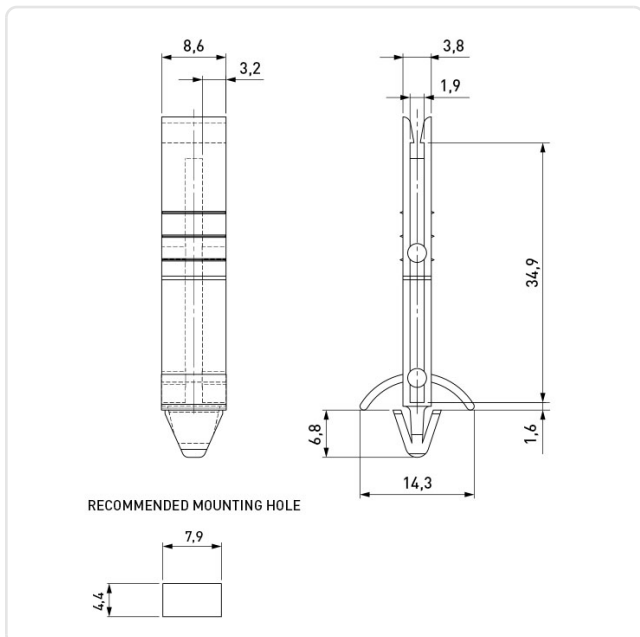


Image may be similar

Color: Natural  
 Flammability Class: UL94-V2  
 Length [mm]: 38.1  
 Material: PA 6.6  
 Material Group: Kunststoff  
 Model: Plug-In Foot  
 Width [mm]: 8.6  
 Weight: 1.3g  
 Conformities:



You can find all information on the web on our article detail page



Would you like individual advice?

We look forward to your email to [products@ettinger.de](mailto:products@ettinger.de).

Subject to change and errors.