

Article datasheet

## Terminal Pin $\varnothing 1.3 \times 10 \text{mm}$ Brass tinned

Article-No.: 013.16.105

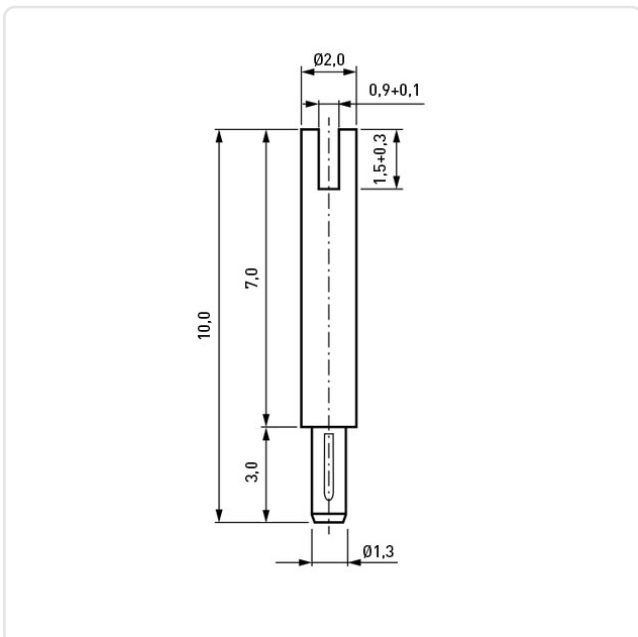


Image may be similar

Diameter [mm]: 1.3  
Finish: Tin-Plated  
Length [mm]: 10  
Material: Brass  
Model: round  
PCB Hole  $\varnothing$  [mm]: 1.35  
Weight: 0.19g  
Conformities:



You can find all  
information on the web on  
our article detail page



Would you like individual advice?

We look forward to your email to [products@ettinger.de](mailto:products@ettinger.de).

Subject to change and errors.