

Article datasheet

Mounting Angle 90°/2x Hole Dia.2,6 Polyamid 6.6 grey white

Article-No.: 005.60.537

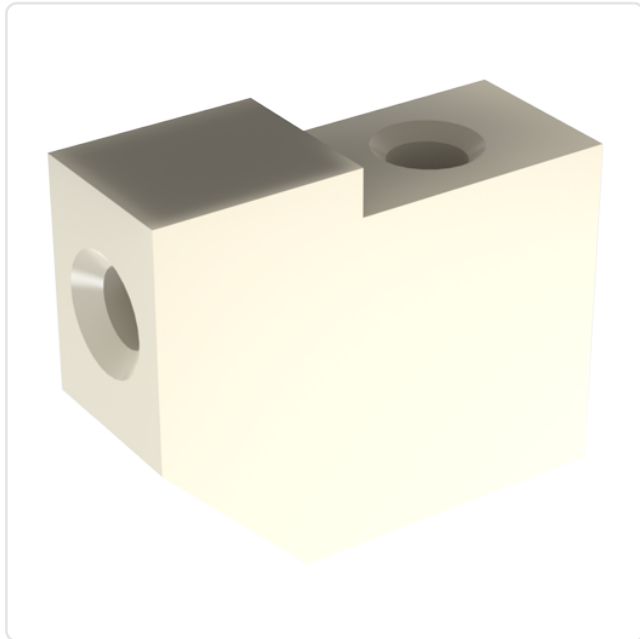
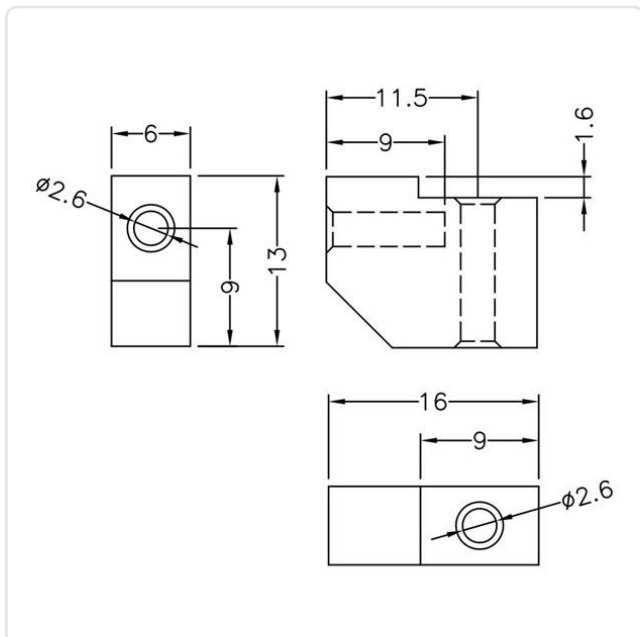


Image may be similar

Length [mm]: 16
Material: PA 6.6
Thread 1 / Hole 1: Ø 2,6
Thread 1 Length [mm]: 9
Thread 2 / Hole 2: Ø 2,6
Thread 2 Length [mm]: 13
Weight: 1.08g
Conformities:



You can find all
information on the web on
our article detail page



Would you like individual advice?

We look forward to your email to products@ettinger.de.

Subject to change and errors.