

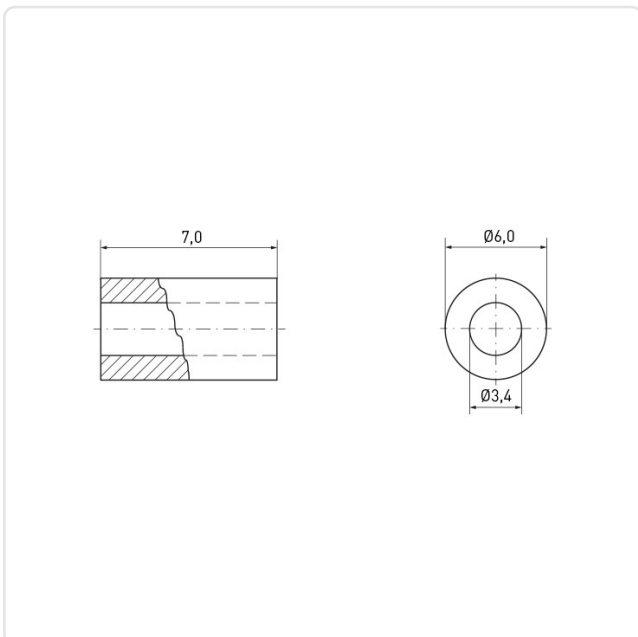
Article datasheet

Round Spacer Ø3.4/6.0 x 7.0 PA/GF black

Article-No.: 005.83.070



Image may be similar



Color: Black
Flammability Class: UL94-HB
For Thread Size: M3
Inner Diameter [mm]: 3.4
Length [mm]: 7
Material: PA 6.0 25% GF
Material Group: Plastic
Outer Diameter [mm]: 6
Weight: 0.21g
Conformities:



You can find all
information on the web on
our article detail page

Would you like individual advice?

We look forward to your email to products@ettinger.de.

Subject to change and errors.